

CODE NUMBER

3789611

DESCRIPTION

3.5 gpf, Polished Chrome Finish, Top Spud, Single Flush, Trap Primer Outlet Tube, Sloan® Exposed Manual Specialty Water Closet Bedpan Washer Flushometer.

DETAILS

- Flush Volume: 3.5 gpf (13.2 Lpf)
- Finish: Polished Chrome (CP)
- Valve: Diaphragm
- Valve Body Material: Semi-red Brass
- Fixture Type: Water Closet
- Fixture Connection: Top Spud
- Rough-In Dimension: 26 ½" (673mm)
- Spud Coupling: 1 ½" (38mm)
- Supply Pipe: 1" (25mm)
- Outlet Tube: Trap Primer (TP)

FEATURES

- Vandal Resistant Stop Cap
 - 1 1/2" Offset Flush Tube
 - Vacuum Breaker with Flush Connection
 - Spud Coupling and Spud Flange for 1 1/2" Top Spud
 - Sweat Solder Adapter with Cover Tube and Cast Wall Flange
 - Non-Hold-Open Handle and No External Volume Adjustment to Ensure Water Conservation
 - Diaphragm, Handle Packing and Vacuum Breaker Molded from PERMEX® Rubber Compound for Chloramine Resistance
- Bedpan Washer Diverter Assembly with the following features:
- Solid One-piece Body Construction
 - Solid Brass Spray Arm
 - Counter Balanced Pivot Assembly and Diverter Valve Wall Support
 - Offset Flush Connection for clearance around Grab Bar installations
 - 1" I.P.S. Screwdriver Bak-Chek® Angle Stop
 - ADA Compliant Metal Oscillating Non-Hold-Open Handle



COMPLIANCES & CERTIFICATIONS



(ADA Compliant, UPC Certified, BAA Compliant)

RECOMMENDED SPECIFICATION

Valve Body, Cover, Tailpiece and Control Stop shall be in conformance with ASTM Alloy Classification for Semi- Red Brass. Valve shall be in compliance with the applicable sections of ASSE 1037 and ANSI/ASME 112.19.2.

VALVE OPERATING PRESSURE (FLOWING)

15-80 PSI (103-552 kPa). Specific fixtures may require greater minimum flowing pressure - consult manufacturer requirements.

DOWNLOADS

- [Sloan Concealed Installation Instructions](#)
- [Control Stop Repair and Maintenance Guide](#)
- [Flush Connections Flanges Repair and Maintenance Guide](#)
- [Tail Piece Repair and Maintenance Guide](#)
- [Slimline Bedpan Washer Repair and Maintenance Guide](#)
- [Additional Downloads](#)

NOTES

All information contained within this document subject to change without notice.

Looking for other variations of the SLOAN BPW 1150 product?
[View the general spec sheet with all options.](#)

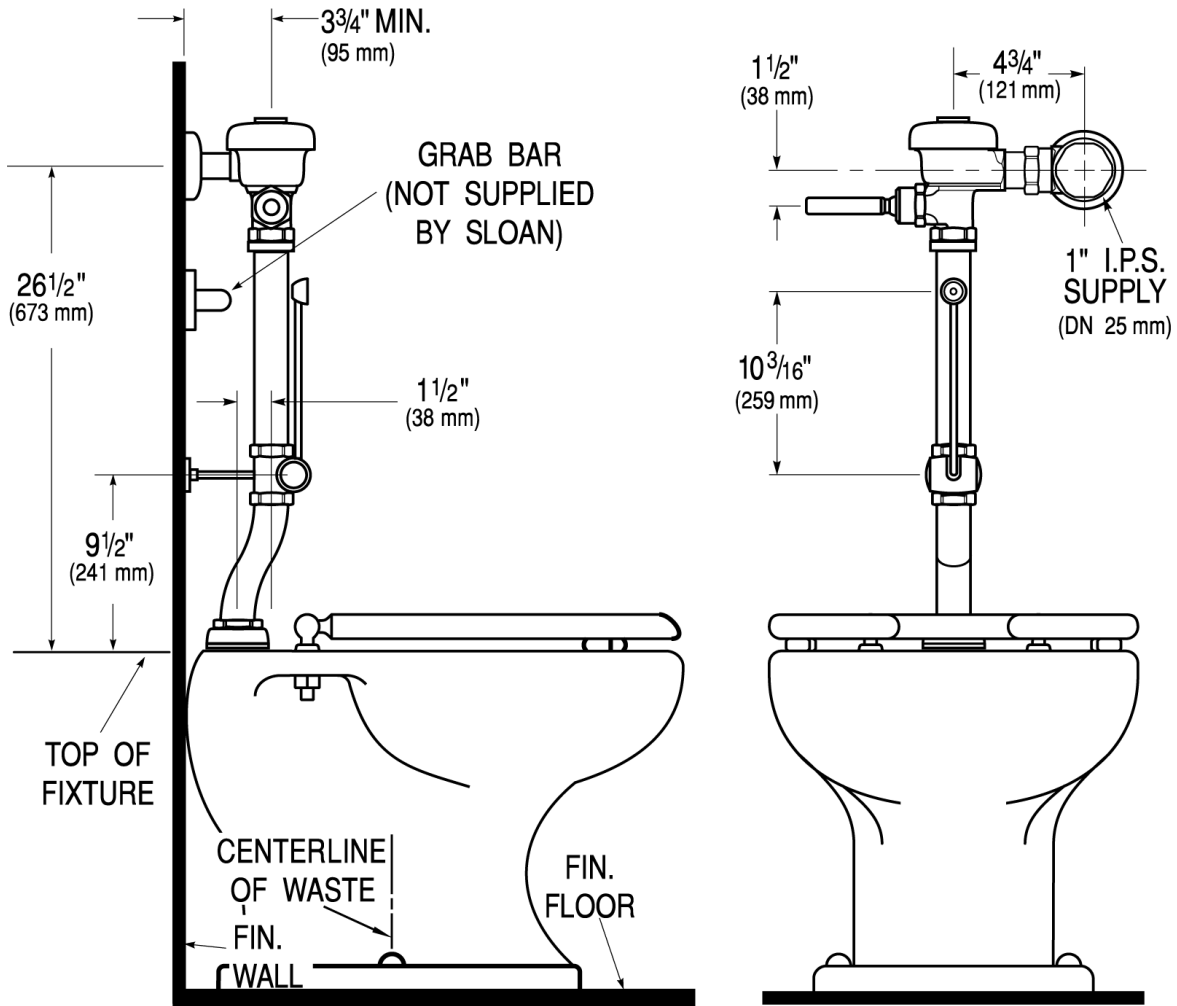
[Find a compatible urinal](#) for this flushometer.

[Find a compatible water closet](#) for this flushometer.

Sloan 10500 Seymour Ave, Franklin Park, IL 60131

Phone: 800.982.5839 • Fax: 800.447.8329 • sloan.com

ROUGH-IN



Sloan 10500 Seymour Ave, Franklin Park, IL 60131
Phone: 800.982.5839 • Fax: 800.447.8329 • sloan.com